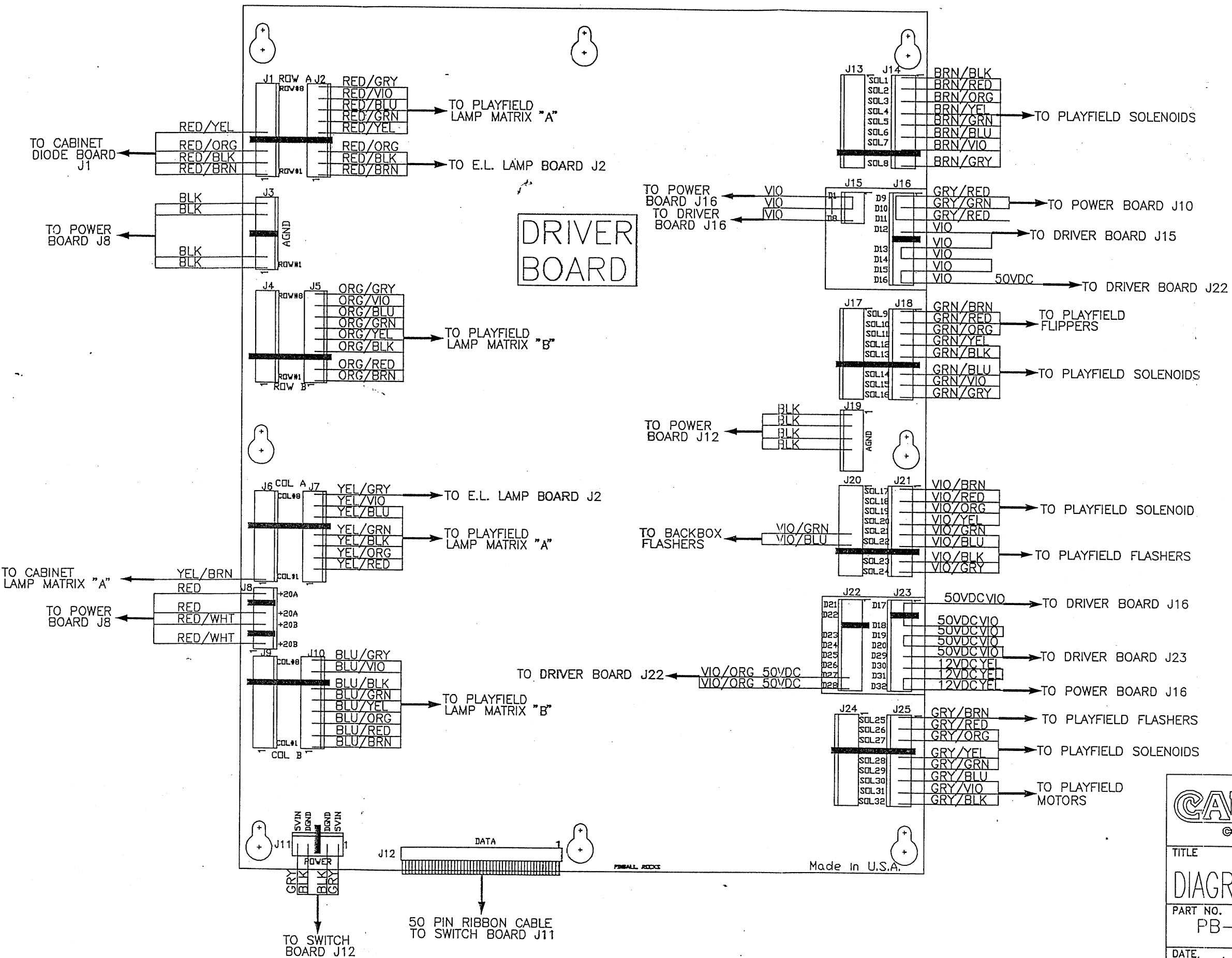


		CAPCOM COIN-OP, INC. 3311 NORTH KENNICOTT AVENUE ARLINGTON HEIGHTS, ILLINOIS 60004 PHONE (708) 797-6100 FAX (708) 797-6119	
TITLE			
DIAGRAM, POWER BOARD WIRING			
PART NO.		DRAWN	
PB-5 WIRING		B.ZIEGLER	
DATE	SHEET	ECN NO:	REV.
6/7/96	1 OF 12		



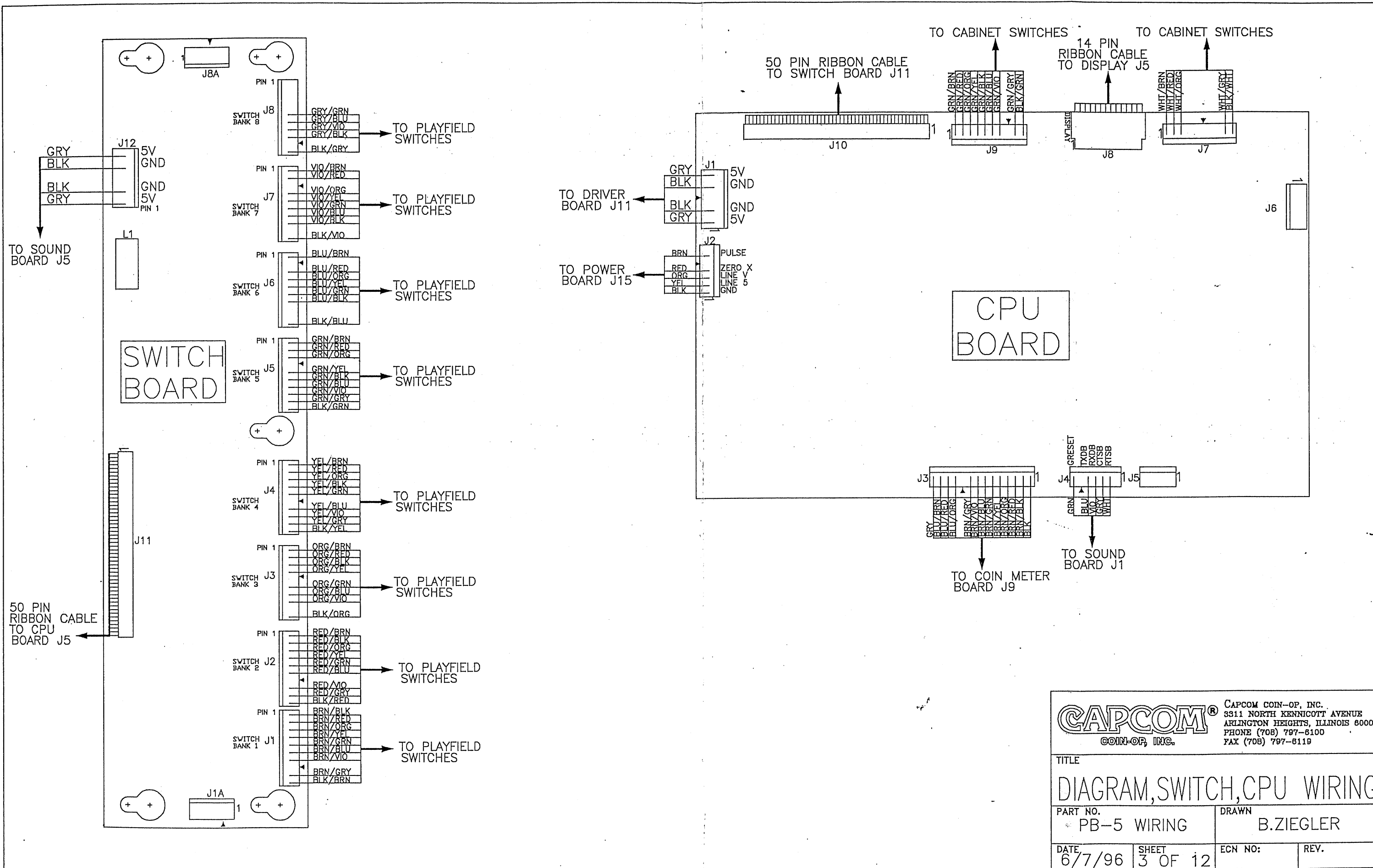
**CAPCOM**®  
COIN-OP, INC.

CAPCOM COIN-OP, INC.  
3311 NORTH KENNICOTT AVENUE  
ARLINGTON HEIGHTS, ILLINOIS 80004  
PHONE (708) 797-8100  
FAX (708) 797-8119

TITLE  
**DIAGRAM, DRIVER BOARD WIRING**

PART NO. PB-5 WIRING      DRAWN B.ZIEGLER

DATE 6/7/96      SHEET 2 OF 12      ECN NO:      REV.

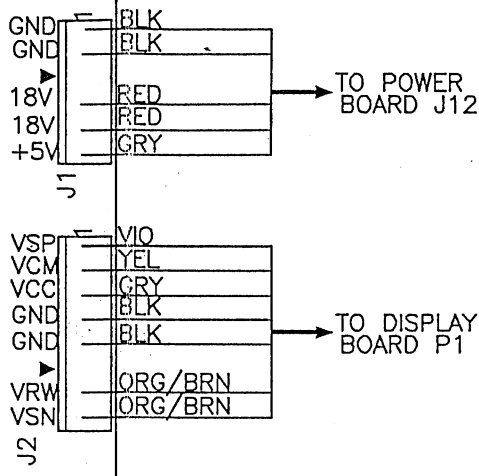
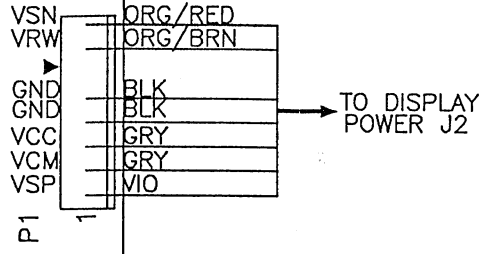
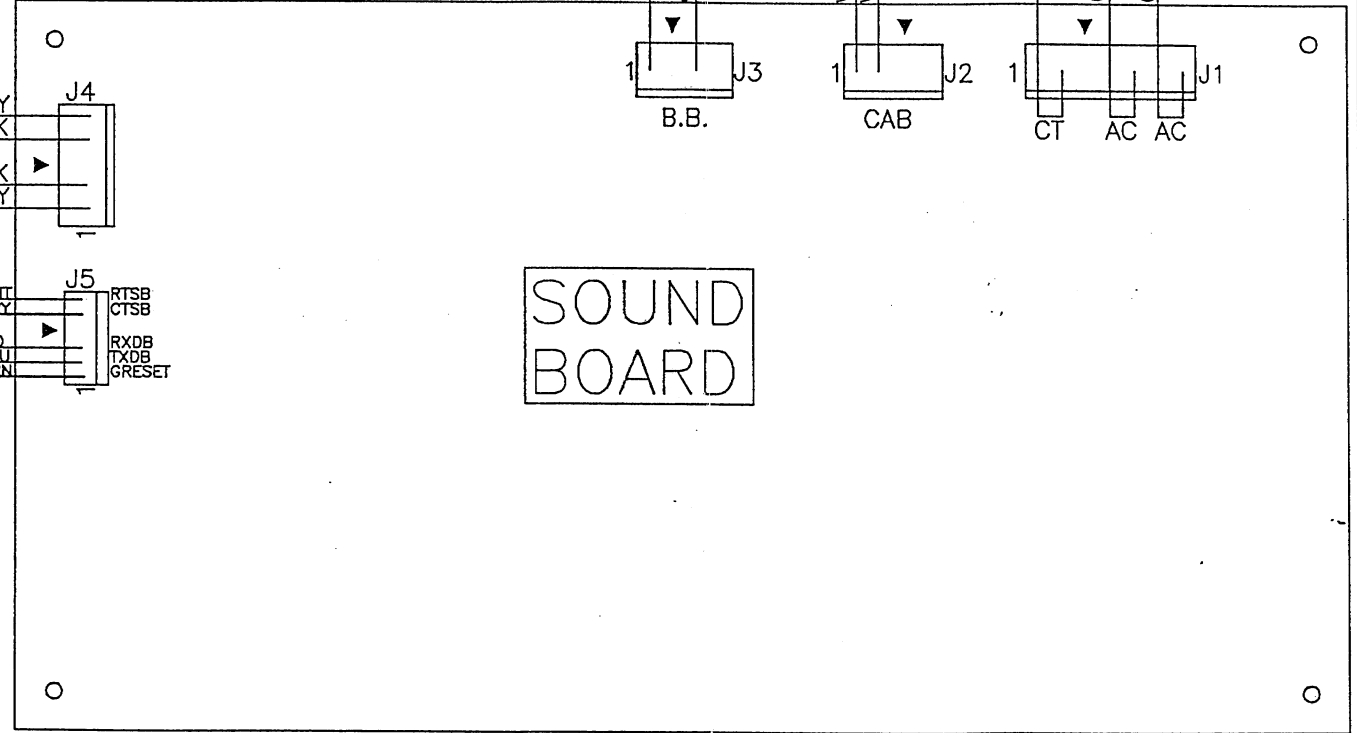
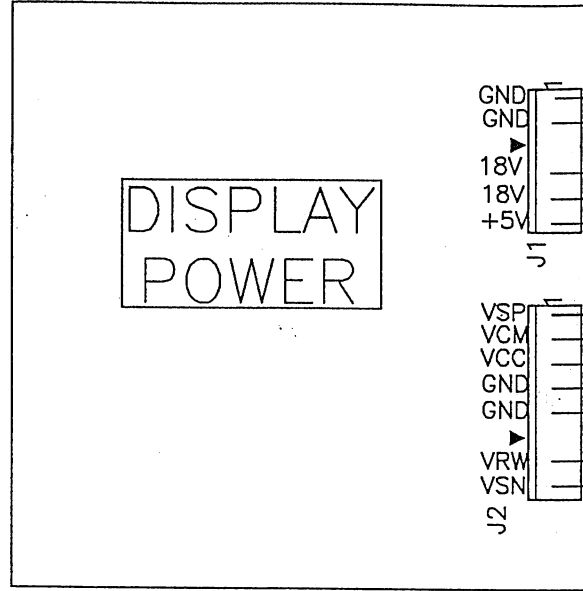
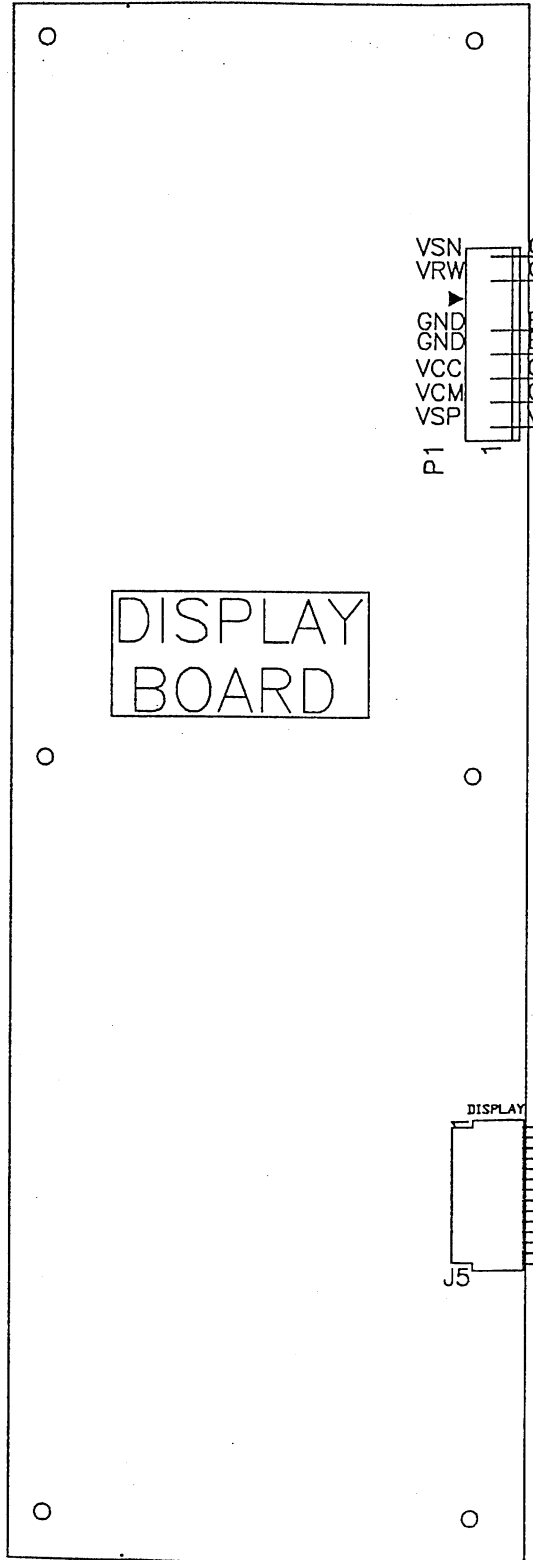


**CAPCOM®**  
 COIN-OP, INC.

CAPCOM COIN-OP, INC.  
 3311 NORTH KENNICOTT AVENUE  
 ARLINGTON HEIGHTS, ILLINOIS 60004  
 PHONE (708) 797-8100  
 FAX (708) 797-8118

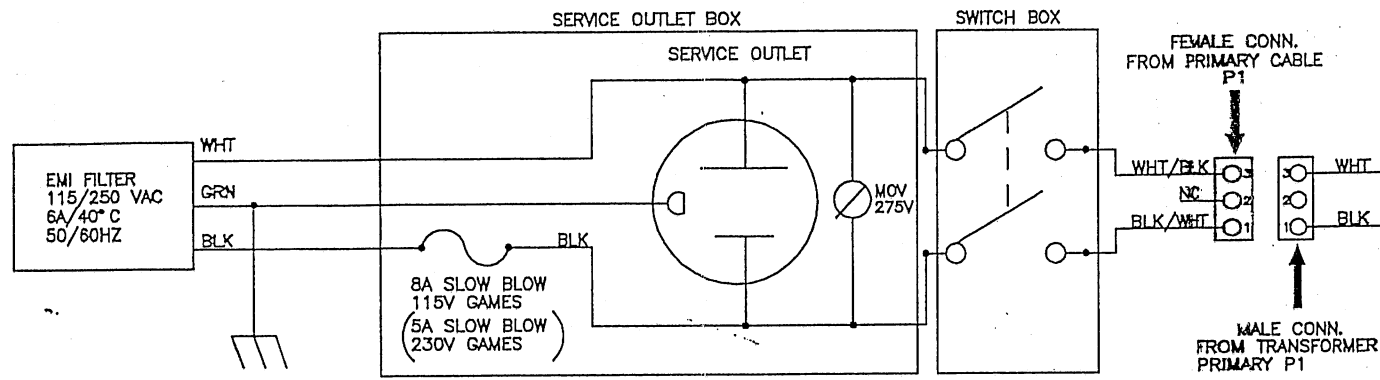
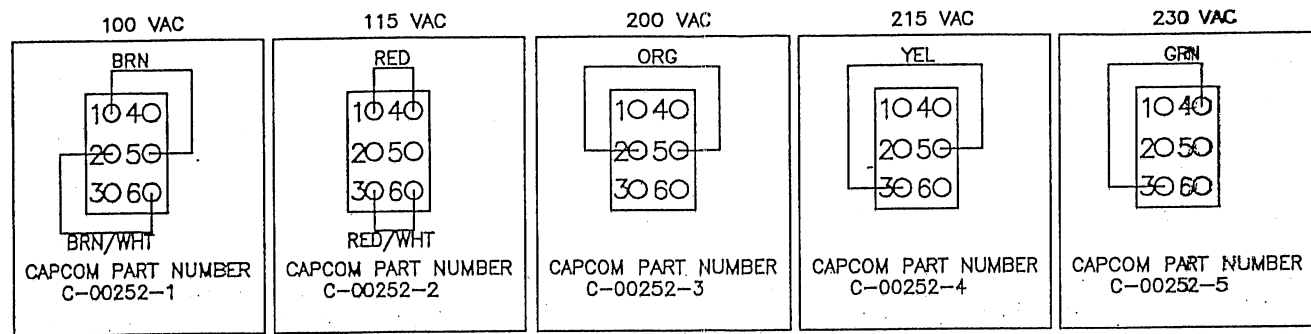
TITLE  
**DIAGRAM, SWITCH, CPU WIRING**

PART NO. PB-5 WIRING	DRAWN B.ZIEGLER
DATE 6/7/96	SHEET 3 OF 12
ECN NO:	REV.



**CAPCOM**<sup>®</sup> CAPCOM COIN-OP, INC.  
 3311 NORTH KENNICOTT AVENUE  
 ARLINGTON HEIGHTS, ILLINOIS 60004  
 PHONE (708) 797-8100  
 FAX (708) 797-8119

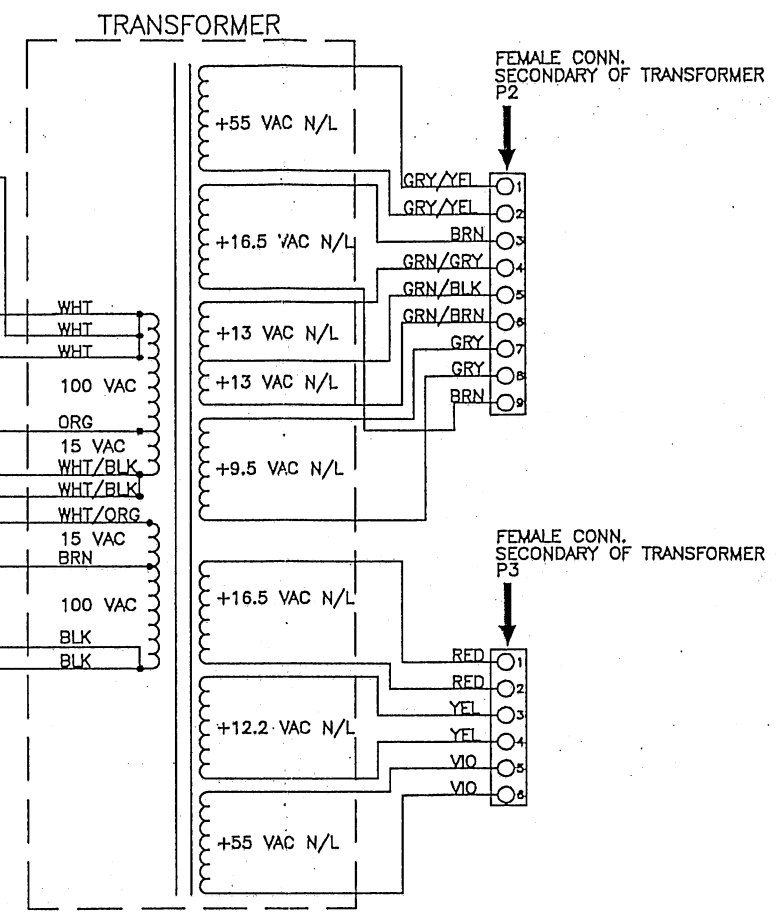
TITLE			
DIAGRAM, DISPLAY & SOUND BOARD WIRING			
PART NO.		DRAWN	
PB-5 WIRING		B.ZIEGLER	
DATE	SHEET	ECN NO:	REV.
6/7/96	4 OF 12		



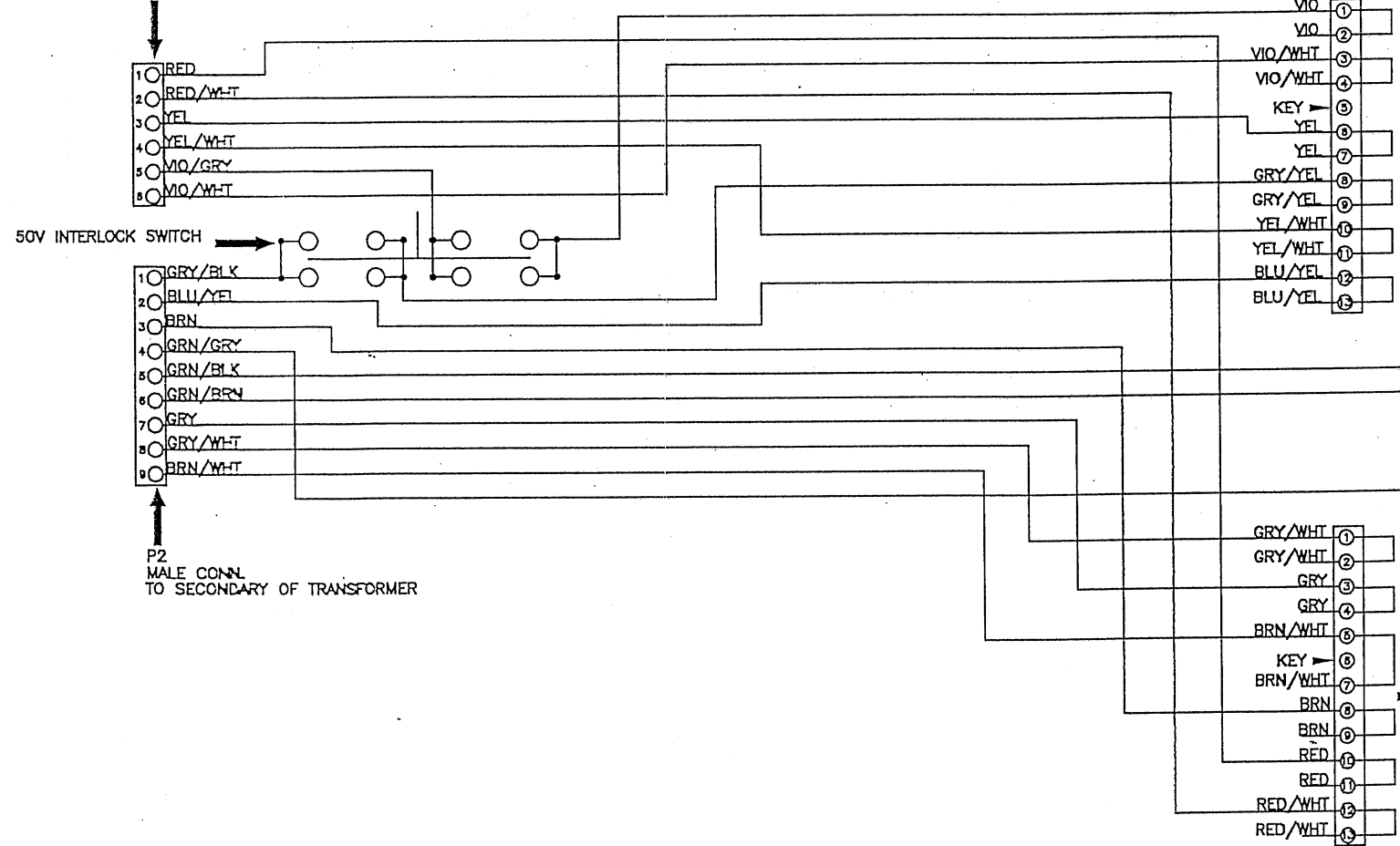
FEMALE CONN. FROM TRANSFORMER P3 TO FLOURESCENT LAMP (BB)

FEMALE CONN. FROM TRANSFORMER P2 (VOLTAGE CONFIGURATION) (SEE ABOVE)

MALE CONN. FROM TRANSFORMER PRIMARY P1



MALE CONN. TO SECONDARY OF TRANSFORMER P3



**CAPCOM** COIN-OP, INC. 3311 NORTH KENNICOTT AVENUE ARLINGTON HEIGHTS, ILLINOIS 60004 PHONE (708) 797-8100 FAX (708) 797-8119

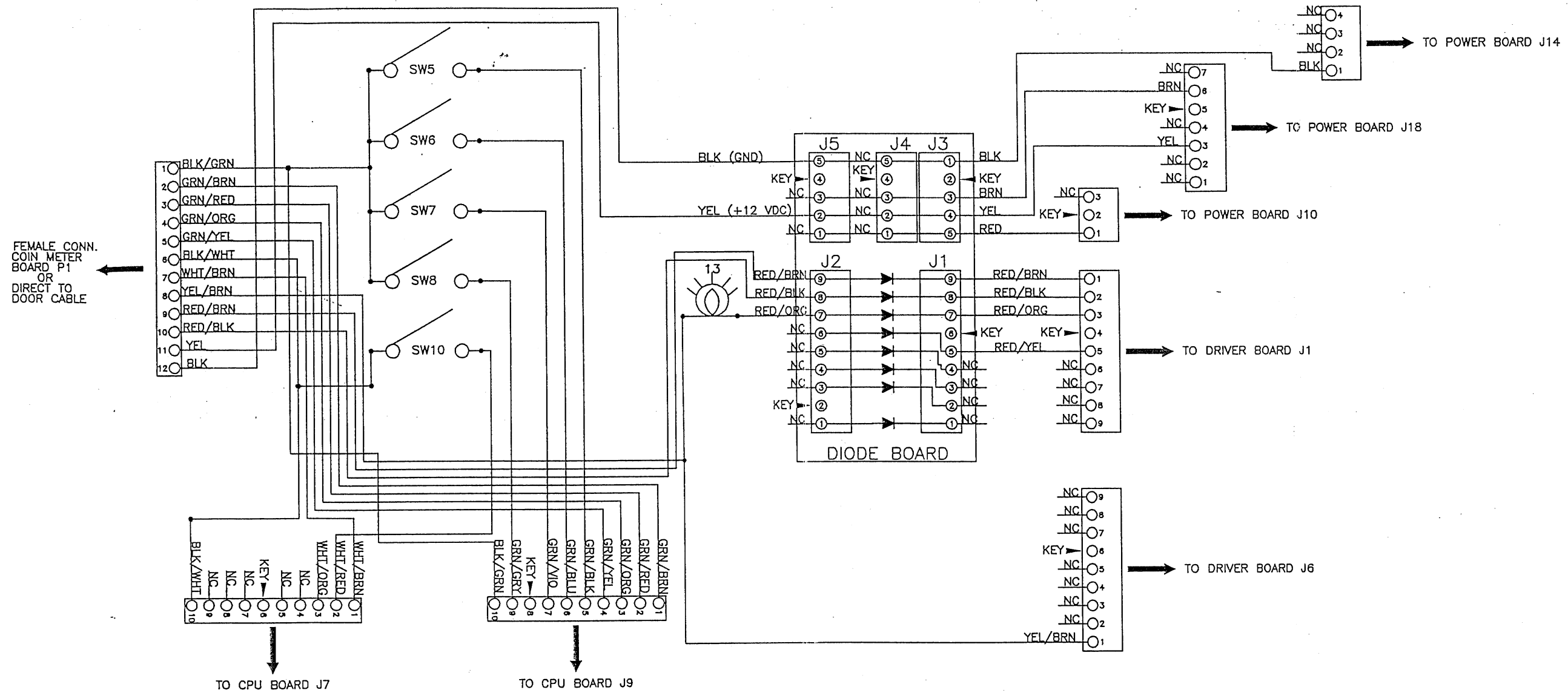
TITLE  
**DIAGRAM, CABINET PRIMARY, SECONDARY & TRANSFORMER WIRING**

PART NO. **PB-5 WIRING** DRAWN **B. ZIEGLER**

DATE **6/7/96** SHEET **5 OF 12** ECN NO: REV.

LAMP # & DESCRIPTION
11 COIN DOOR 1&2
12 COIN DOOR 3&4
13 START

SWITCH # & DESCRIPTION
5 LEFT FLIPPER
6 RIGHT FLIPPER
7 START
8 COIN DOOR OPEN
10 TILT BOB



FEMALE CONN.  
COIN METER  
BOARD P1  
OR  
DIRECT TO  
DOOR CABLE

CABINET SPEAKER  
8 INCH 4 OHM 20 WATT

**CAPCOM**® CAPCOM COIN-OP, INC.  
3311 NORTH KENNICOTT AVENUE  
ARLINGTON HEIGHTS, ILLINOIS 60004  
PHONE (708) 797-8100  
FAX (708) 797-8119  
COIN-OP, INC.

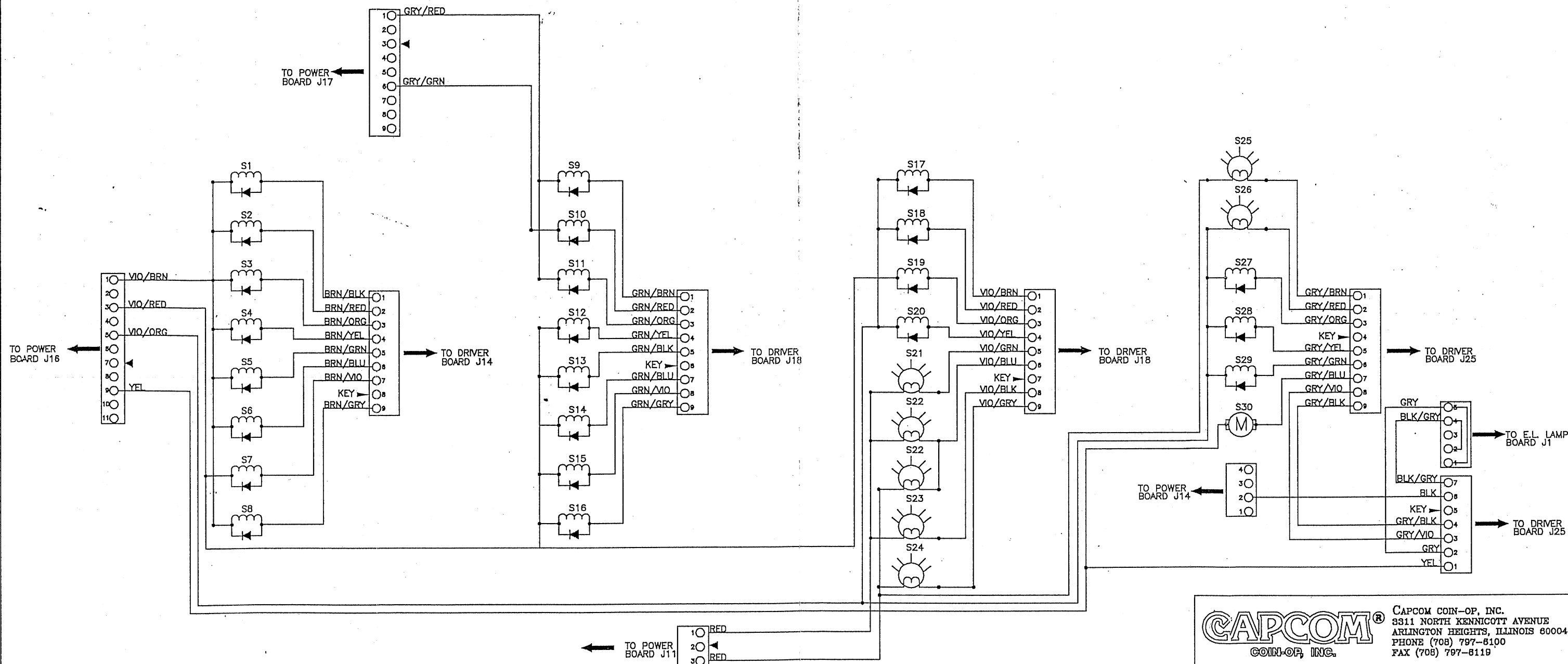
TITLE DIAGRAM, CABINET SWITCHES, LAMPS & COIN DOOR WIRING			
PART NO. PB-5 WIRING		DRAWN B. ZIEGLER	
DATE 6/7/96	SHEET 6 OF 12	ECN NO:	REV.

DEVICE #	DESCRIPTION
S1	OUTHOLE
S2	TROUGH
S3	KNOCKER
S4	L. SLINGSHOT
S5	R. SLINGSHOT
S6	KICKBACK
S7	4-BANK RESET
S8	LOWER LOCK POST

DEVICE #	DESCRIPTION
S9	L. FLIPPER
S10	R. FLIPPER
S11	UR. FLIPPER
S12	EJECT HOLE
S13	ISLAND DVERTER
S14	RAMP DVERTER 1
S15	RAMP DVERTER 2
S16	ALIEN LOCK POST

DEVICE #	DESCRIPTION
S17	3-BANK RESET
S18	STAR BUMPER LEFT
S19	STAR BUMPER MIDDLE
S20	STAR BUMPER RIGHT
S21	(FLASHER) BACKBOX L.
S22	TUBE DANCER & B.B. R.
S23	(FLASHER) DANCE FLOOR
S24	(FLASHER) EJECT HOLE

DEVICE #	DESCRIPTION
S25	(FLASHER) ALIENS
S26	(FLASHER) LOWER LOCK
S27	ORBIT GATE LEFT
S28	ORBIT GATE RIGHT
S29	1-BANK RESET
S30	(MOTOR) TUBE DANCER
S31	(MOTOR) ALIENS FORWARD
S32	(MOTOR) ALIENS REVERSE



**CAPCOM**®  
COIN-OP, INC.

CAPCOM COIN-OP, INC.  
3311 NORTH KENNICOTT AVENUE  
ARLINGTON HEIGHTS, ILLINOIS 60004  
PHONE (708) 797-8100  
FAX (708) 797-8119

TITLE DIAGRAM, PLFD DEVICES, FLASHERS, WIRING			
PART NO. PB-5 WIRING		DRAWN B. ZIEGLER	
DATE 6/7/96	SHEET 7 OF 12	ECN NO:	REV.

SWITCH #	DESCRIPTION
17	4-BANK MERCURY
18	4-BANK VENUS
19	4-BANK PYTHOS
20	4-BANK MARS
21	RAMP STANDUP LEFT
22	RAMP STANDUP RIGHT
23	RAMP STANDUP SIDE
24	RAMP ENTRANCE

SWITCH #	DESCRIPTION
25	SPINNER
26	OUTER ORBIT LEFT
27	INNER ORBIT LEFT
28	ROLLOVER "E"
29	ROLLOVER "A"
30	ROLLOVER "R"
31	TUBE ENTRANCE
32	RAMP EXIT

SWITCH #	DESCRIPTION
33	L. FLIPPER E.O.S.
34	R. FLIPPER E.O.S.
35	OUTHOLE
36	TROUGH 1 BALL
37	TROUGH 2 BALLS
38	TROUGH 3 BALLS
39	TROUGH 4 BALLS
40	UNUSED

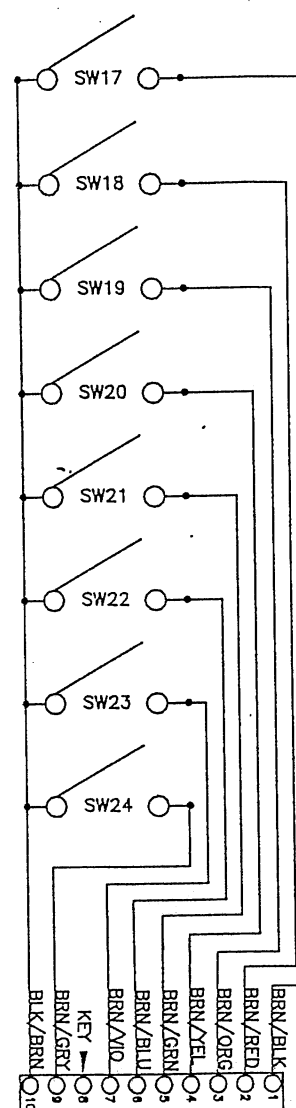
SWITCH #	DESCRIPTION
41	L. SLINGSHOT
42	R. SLINGSHOT
43	SHOOTER LANE
44	OUTLANE LEFT
45	INLANE LEFT
46	LOWER LOCK 1 BALL
47	LOWER LOCK 2 BALLS
48	LOWER LOCK 3 BALLS

SWITCH #	DESCRIPTION
49	3-BANK URANUS
50	3-BANK NEPTUNE
51	3-BANK PLUTO
52	3-BANK STANDUP LEFT
53	3-BANK STANDUP RIGHT
54	STAR BUMPER LEFT
55	STAR BUMPER MIDDLE
56	STAR BUMPER RIGHT

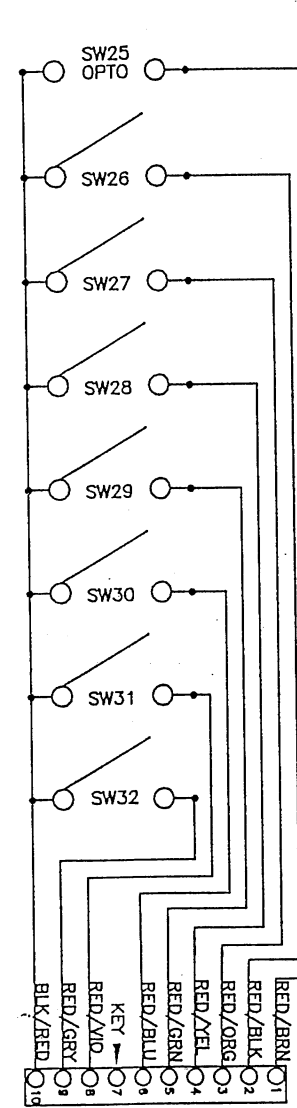
SWITCH #	DESCRIPTION
57	ALIEN MOTOR
58	1-BANK
59	INNER ORBIT RIGHT
60	OUTER ORBIT RIGHT
61	ALIEN LOCK LEFT
62	ALIEN LOCK RIGHT
63	UNUSED
64	UNUSED

SWITCH #	DESCRIPTION
65	INLANE RIGHT
66	OUTLANE RIGHT
67	EJECT HOLE
68	UR. FLIPPER E.O.S.
69	ISLAND ENTRANCE
70	ISLAND EXIT LEFT
71	ISLAND EXIT RIGHT
72	UNUSED

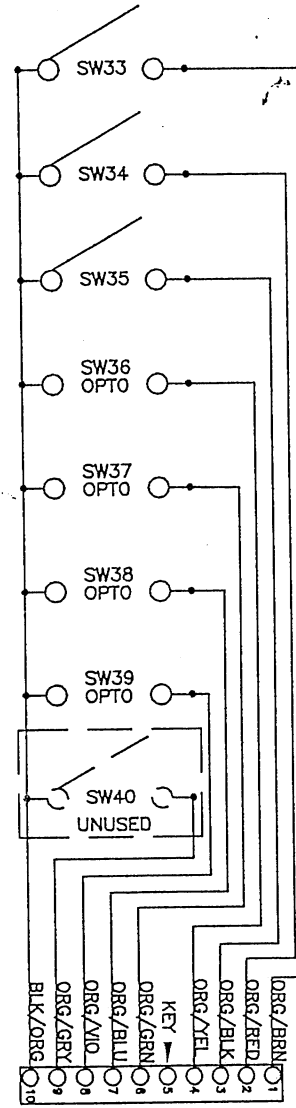
SWITCH #	DESCRIPTION
73	UNUSED
74	UNUSED
75	UNUSED
76	UNUSED
77	CAPTIVE BOTTOM LEFT
78	CAPTIVE TOP LEFT
79	CAPTIVE BOTTOM RIGHT
80	CAPTIVE TOP RIGHT



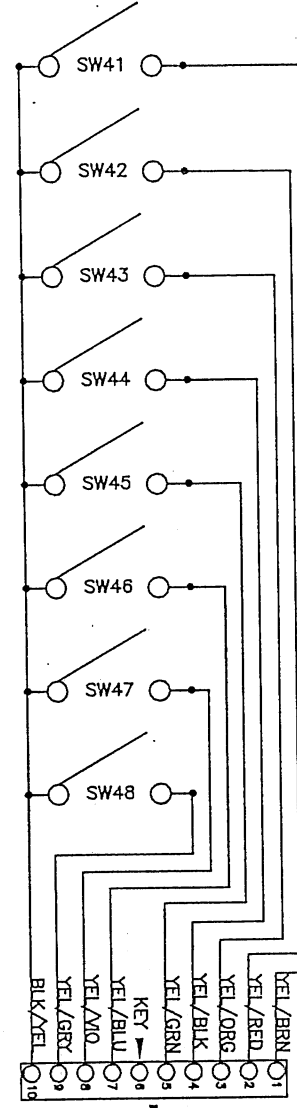
TO SWITCH BOARD  
J1 SWITCHBANK 1



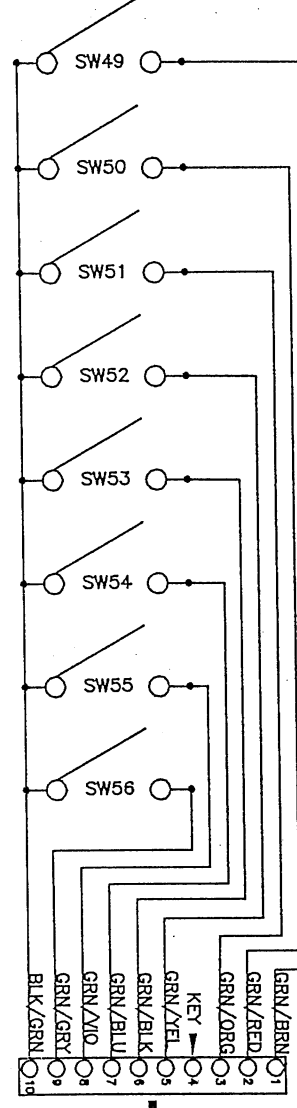
TO SWITCH BOARD  
J2 SWITCHBANK 2



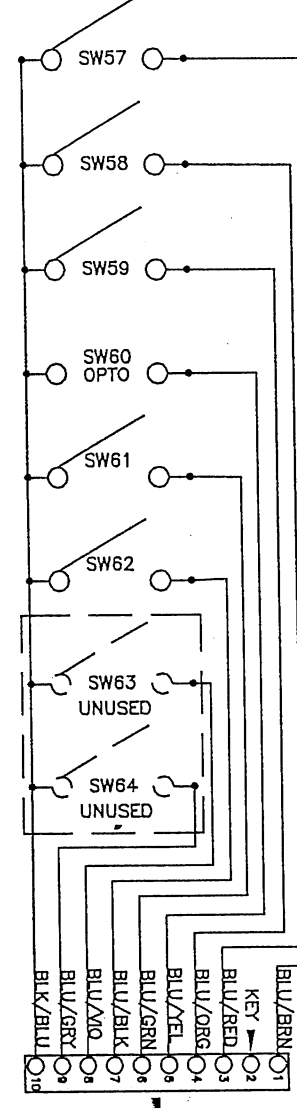
TO SWITCH BOARD  
J3 SWITCHBANK 3



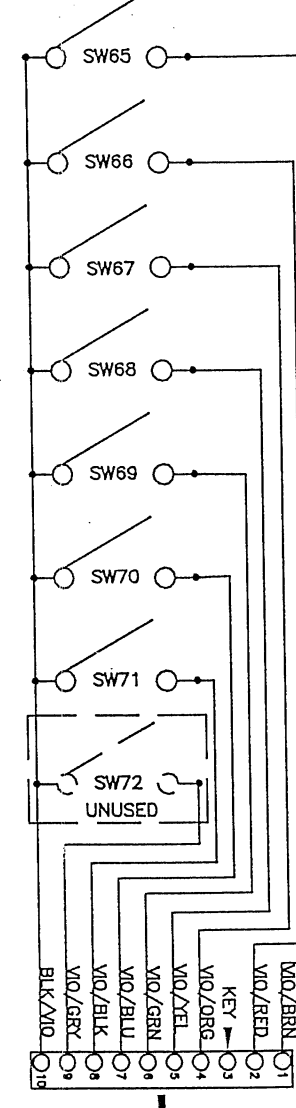
TO SWITCH BOARD  
J4 SWITCHBANK 4



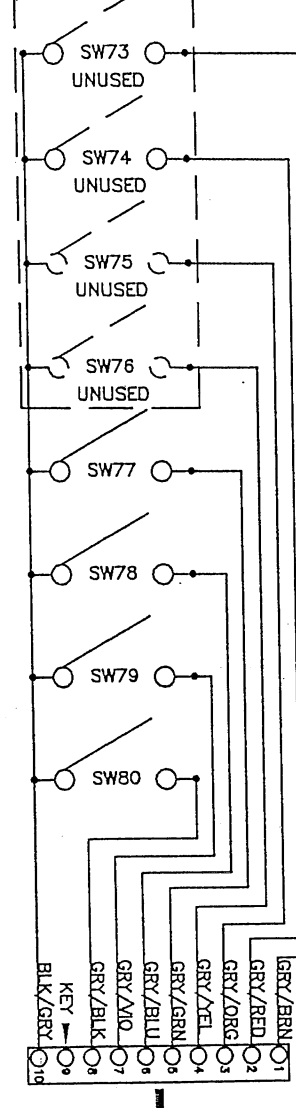
TO SWITCH BOARD  
J5 SWITCHBANK 5



TO SWITCH BOARD  
J6 SWITCHBANK 6

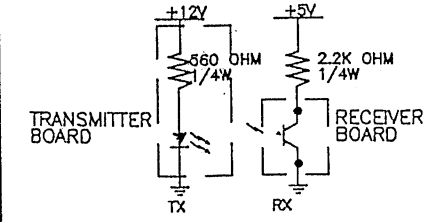


TO SWITCH BOARD  
J7 SWITCHBANK 7



TO SWITCH BOARD  
J8 SWITCHBANK 8

NOTE: THIS IS A TYPICAL OPTO CIRCUIT THE COMPONENTS IN THE DASHED LINES ARE THE ACTUAL BOARDS



NOTE: ALL OPTOS SHOWN ARE RECEIVER SIDE ONLY TRANSMITTER POWER COMES FROM POWER BOARD J13 PINS 8-9

**CAPCOM®** COIN-OP, INC.  
3311 NORTH KENNICOTT AVENUE  
ARLINGTON HEIGHTS, ILLINOIS 60004  
PHONE (847) 797-8100  
FAX (847) 797-8119

TITLE  
**DIAGRAM, PLAYFIELD SWITCHES, WIRING**

PART NO. PB-5 WIRING	DRAWN B.ZIEGLER
DATE 6/7/96	SHEET 8 OF 12
ECN NO:	REV.



LAMP NUMBER & DESCRIPTION
11 COIN DOOR 1&2
12 COIN DOOR 3&4
13 START
14 UNUSED
15 UNUSED
16 UNUSED
17 UNUSED
18 UNUSED

LAMP NUMBER & DESCRIPTION
21 4-BANK G.I. 1
22 4-BANK G.I. 2
23 4-BANK G.I. 3
24 L. SLINGSHOT G.I. 1
25 UNUSED
26 L. FLIPPER G.I. 1
27 UNUSED
28 UNUSED

LAMP NUMBER & DESCRIPTION
31 U.R. FLIPPER G.I. 1
32 EJECT HOLE G.I. 1
33 SPACESHIP G.I. 1
34 SPACESHIP G.I. 2
35 R. SLINGSHOT G.I. 1
36 R. SLINGSHOT G.I. 2
37 R. FLIPPER G.I. 1
38 R. FLIPPER G.I. 2

LAMP NUMBER & DESCRIPTION
41 TUBE G.I. 1
42 TUBE G.I. 2
43 TUBE G.I. 3
44 TUBE G.I. 4
45 TUBE G.I. 5
46 LEFT ORBIT CHASE 1
47 LEFT ORBIT CHASE 2
48 LEFT ORBIT CHASE 3

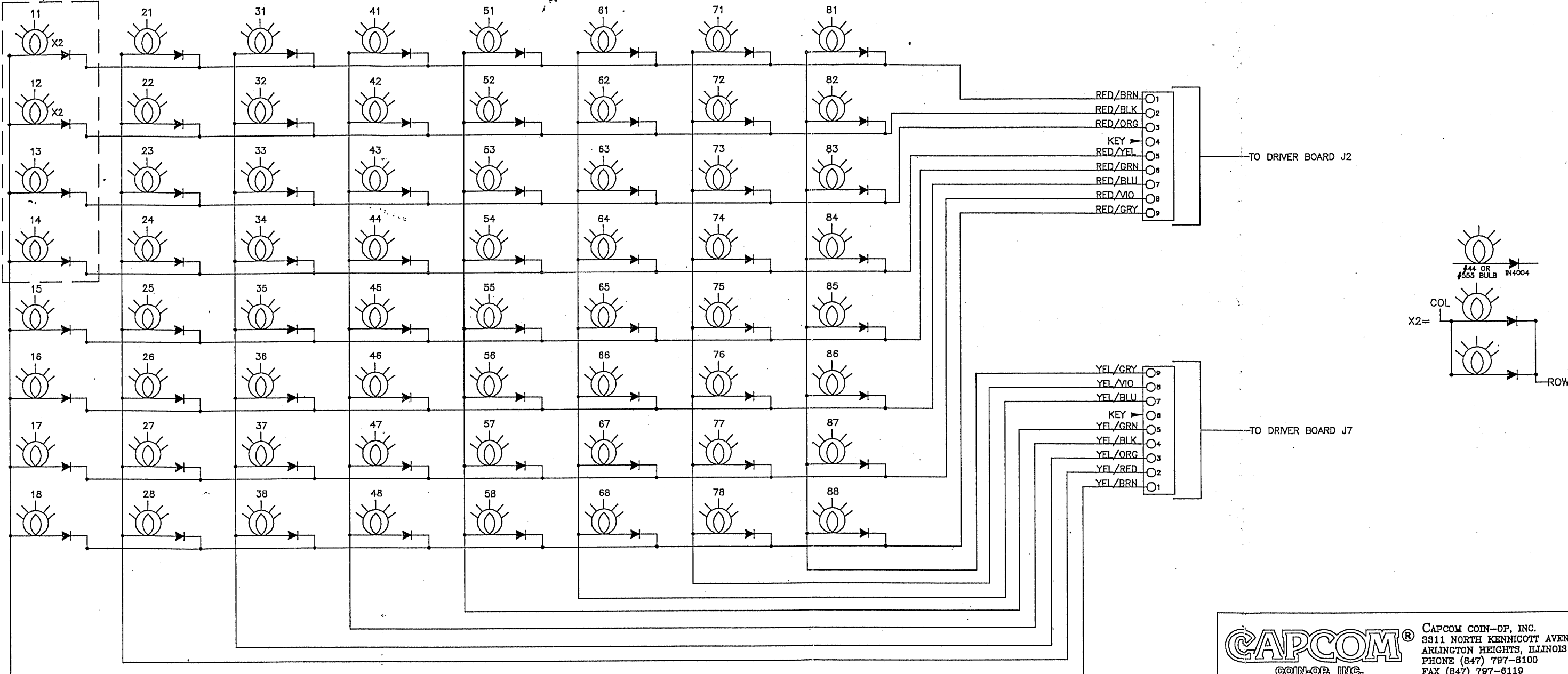
LAMP NUMBER & DESCRIPTION
51 HOOT G.I. 1
52 HOOT G.I. 2
53 HOOT G.I. 3
54 HOOT G.I. 4
55 ALJEN G.I. 1
56 ALJEN G.I. 2
57 ALJEN G.I. 3
58 CAPTIVE G.I. 1

LAMP NUMBER & DESCRIPTION
61 RIGHT ORBIT CHASE 1
62 RIGHT ORBIT CHASE 2
63 RIGHT ORBIT CHASE 3
64 ALJEN LOCK LEFT
65 ALJEN LOCK RIGHT
66 UNUSED
67 UNUSED
68 UNUSED

LAMP NUMBER & DESCRIPTION
71 ROLLOVER "B"
72 ROLLOVER "A"
73 ROLLOVER "R"
74 TUBE SIGN X-BALL
75 TUBE SIGN 10 MILLION
76 TUBE SIGN JACKPOT
77 UNUSED
78 UNUSED

LAMP NUMBER & DESCRIPTION
81 (ELECTRO) RAMP 1
82 (ELECTRO) RAMP 2
83 (ELECTRO) RAMP 3
84 (ELECTRO) UNUSED
85 (ELECTRO) UNUSED
86 (ELECTRO) BLACK LIGHT
87 (ELECTRO) UNUSED
88 (ELECTRO) UNUSED

COIN DOOR / CABINET



**CAPCOM**® CAPCOM COIN-OP, INC.  
 8311 NORTH KENNICOTT AVENUE  
 ARLINGTON HEIGHTS, ILLINOIS 60004  
 PHONE (847) 797-8100  
 FAX (847) 797-8119  
 COIN-OP, INC.

TITLE			
DIAGRAM, LAMP MATRIX "A" WIRING			
PART NO.		DRAWN	
PB-5 WIRING		B.ZIEGLER	
DATE	SHEET	ECN NO:	REV.
6/7/96	9 OF 12		

LAMP NUMBER & DESCRIPTION
11 BONUS 2X
12 BONUS 3X
13 MODE: UNDERGROUND
14 MODE: BIG BANG
15 MODE: BAR ROOM BRAWL
16 MODE: RAY'S BALL BUSTER
17 MODE: LOOPED IN SPACE
18 SHOOT AGAIN

LAMP NUMBER & DESCRIPTION
21 MODE: BABE SCANNER
22 MODE: CHASE WAITRESS
23 SHOOT: COSMIC DARTZ
24 SPECIAL (OUTLANE RIGHT)
25 INLANE RIGHT
26 BONUS 5X
27 BONUS 4X
28 MODE: TUBE DANCER

LAMP NUMBER & DESCRIPTION
31 SHOOT: LEFT ORBIT
32 SHOOT: BABE SCANNER
33 4-BANK MARS
34 4-BANK PYTHOS
35 4-BANK VENUS
36 4-BANK MERCURY
37 FREE SHOT (OUTLANE LEFT)
38 INLANE LEFT

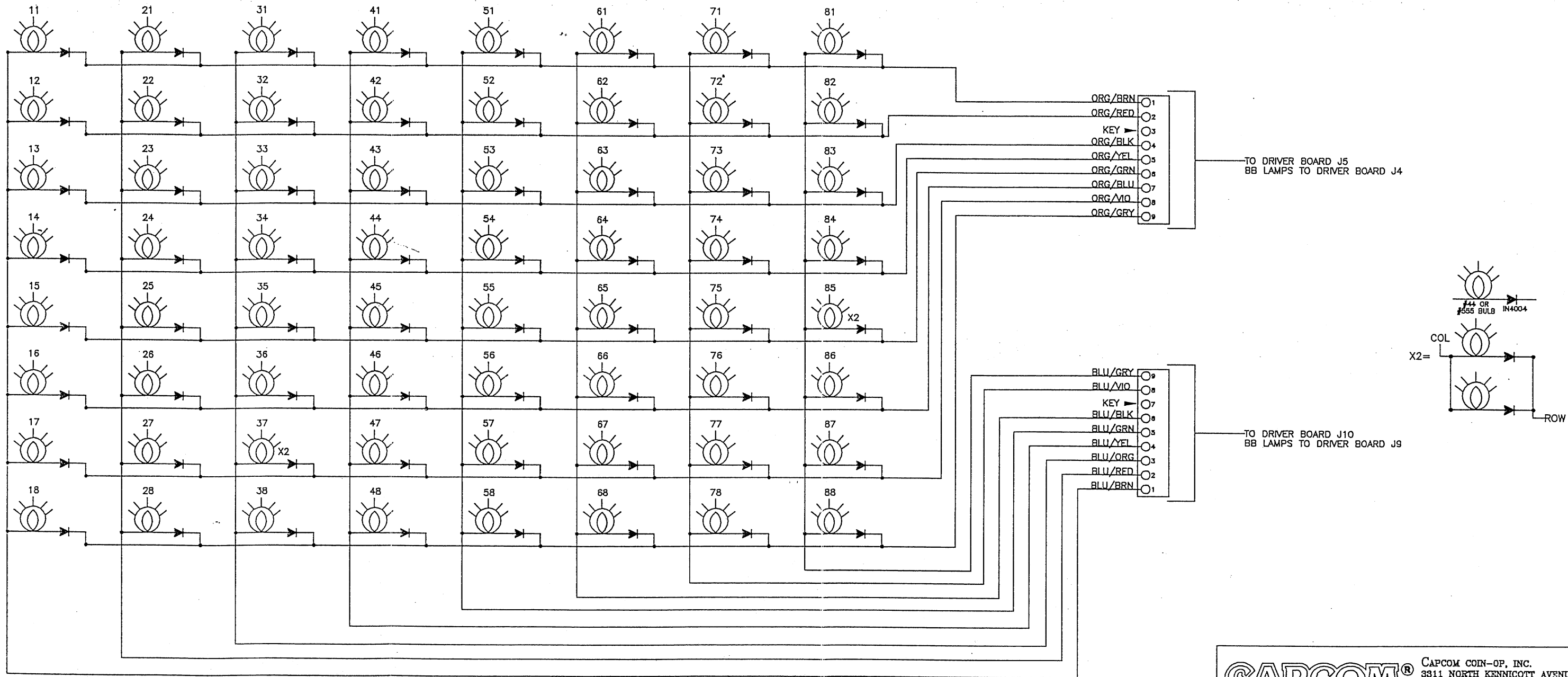
LAMP NUMBER & DESCRIPTION
41 MODE: COSMIC DARTZ
42 MODE: TOUR DE BAR
43 MODE: MOSH A GO-GO
44 MODE: HAPPY HOUR
45 MODE: EXTRA BALL
46 MODE: GET LUCKY
47 MODE: LUNA PALOOZA
48 UNUSED

LAMP NUMBER & DESCRIPTION
51 RAMP JACKPOT
52 RAMP STANDUP LEFT
53 RAMP STANDUP RIGHT
54 RAMP STANDUP SIDE
55 DOUBLE JACKPOT
56 SHOOT: TOUR DE BAR
57 SHOOT: UNDERGROUND 1
58 QUALIFY MODE

LAMP NUMBER & DESCRIPTION
61 CAPTIVE: LEFT 4
62 CAPTIVE: LEFT 3
63 CAPTIVE: LEFT 2
64 CAPTIVE: LEFT 1
65 CAPTIVE: RIGHT 4
66 CAPTIVE: RIGHT 3
67 CAPTIVE: RIGHT 2
68 CAPTIVE: RIGHT 1

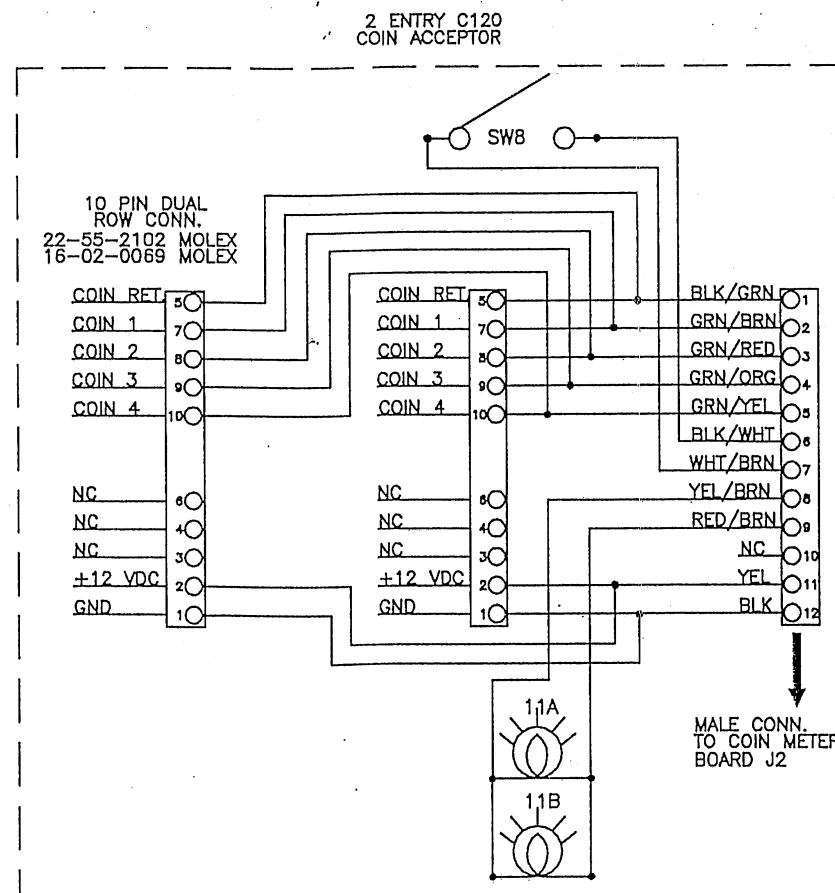
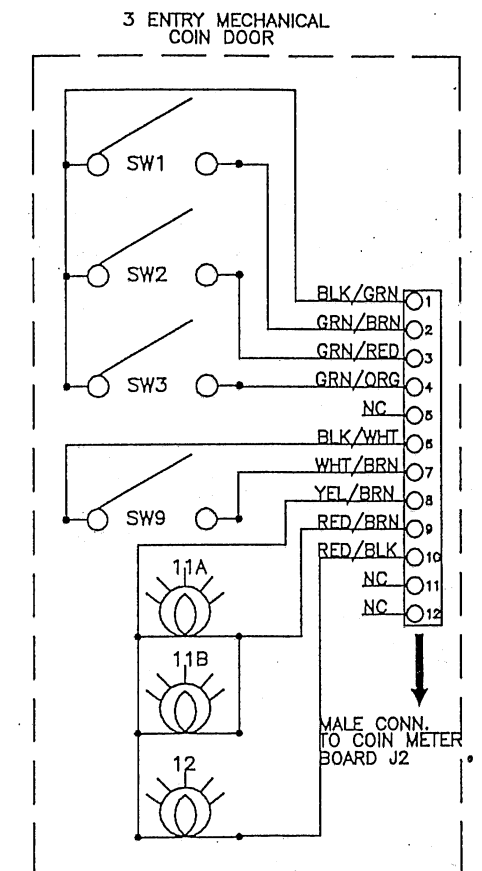
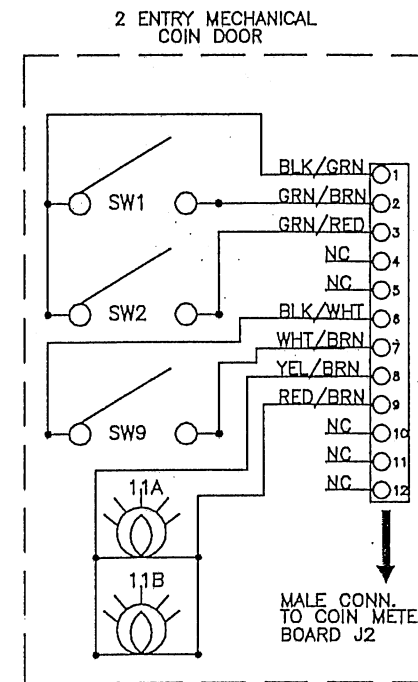
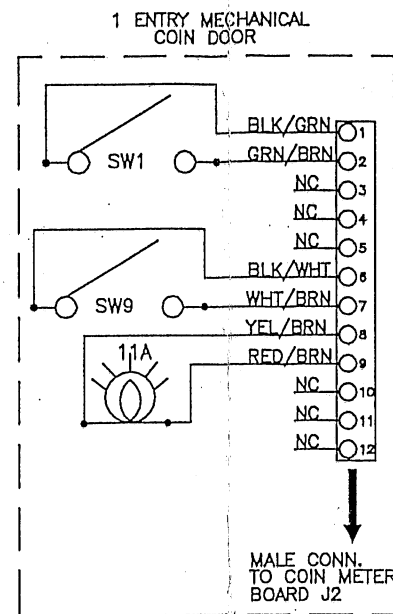
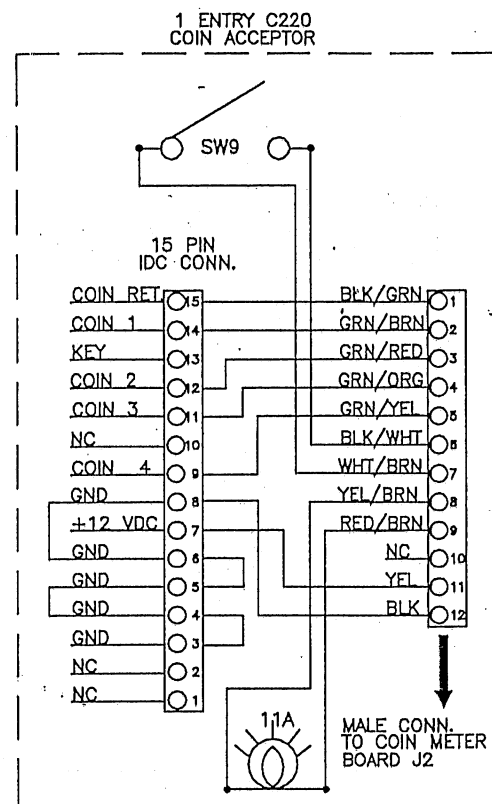
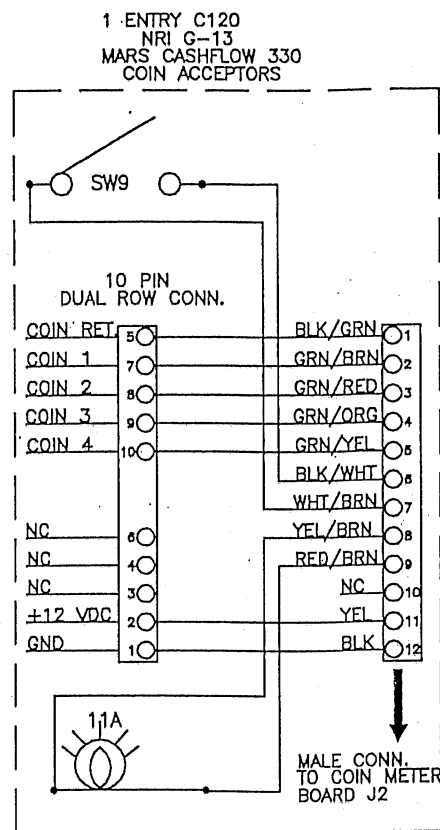
LAMP NUMBER & DESCRIPTION
71 3-BANK URANUS
72 3-BANK NEPTUNE
73 3-BANK PLUTO
74 SHOOT: RIGHT ORBIT
75 D.J. EYES G.I.
76 SHOOT: LUNA PALOOZA
77 ISLAND: LOCK READY
78 ISLAND: MODE READY

LAMP NUMBER & DESCRIPTION
81 SHOOT: UNDERGROUND 2
82 STAR BUMPER LEFT
83 STAR BUMPER MIDDLE
84 STAR BUMPER RIGHT
85 DANCE FLOOR
86 SHOOT: EXTRA BALL
87 SHOOT: BIG BANG
88 UR. FLUPPER G.I. 2



**CAPCOM**® CAPCOM COIN-OP, INC.  
 3311 NORTH KENNICOTT AVENUE  
 ARLINGTON HEIGHTS, ILLINOIS 60004  
 PHONE (847) 797-8100  
 FAX (847) 797-8119  
 COIN-OP, INC.

TITLE DIAGRAM, LAMP MATRIX "B" WIRING			
PART NO. PB-5 WIRING		DRAWN B.ZIEGLER	
DATE 6/7/96	SHEET 10 OF 12	ECN NO:	REV.



LAMP # & DESCRIPTION
11 COIN DOOR 1&2
12 COIN DOOR 3&4

SWITCH # & DESCRIPTION
1 COIN 1
2 COIN 2
3 COIN 3
4 COIN 4
9 SLAM

**CAPCOM**®  
COIN-OP, INC.

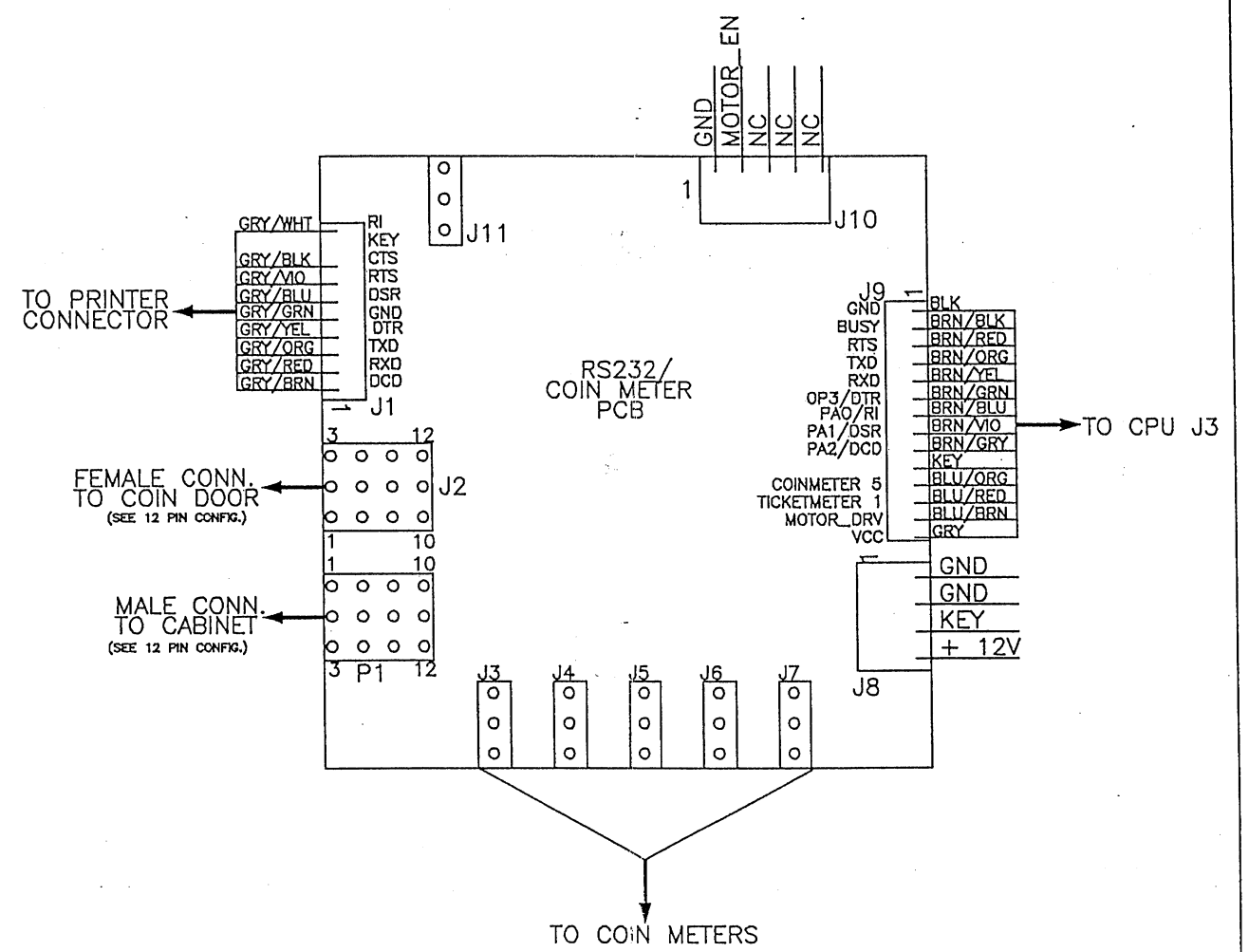
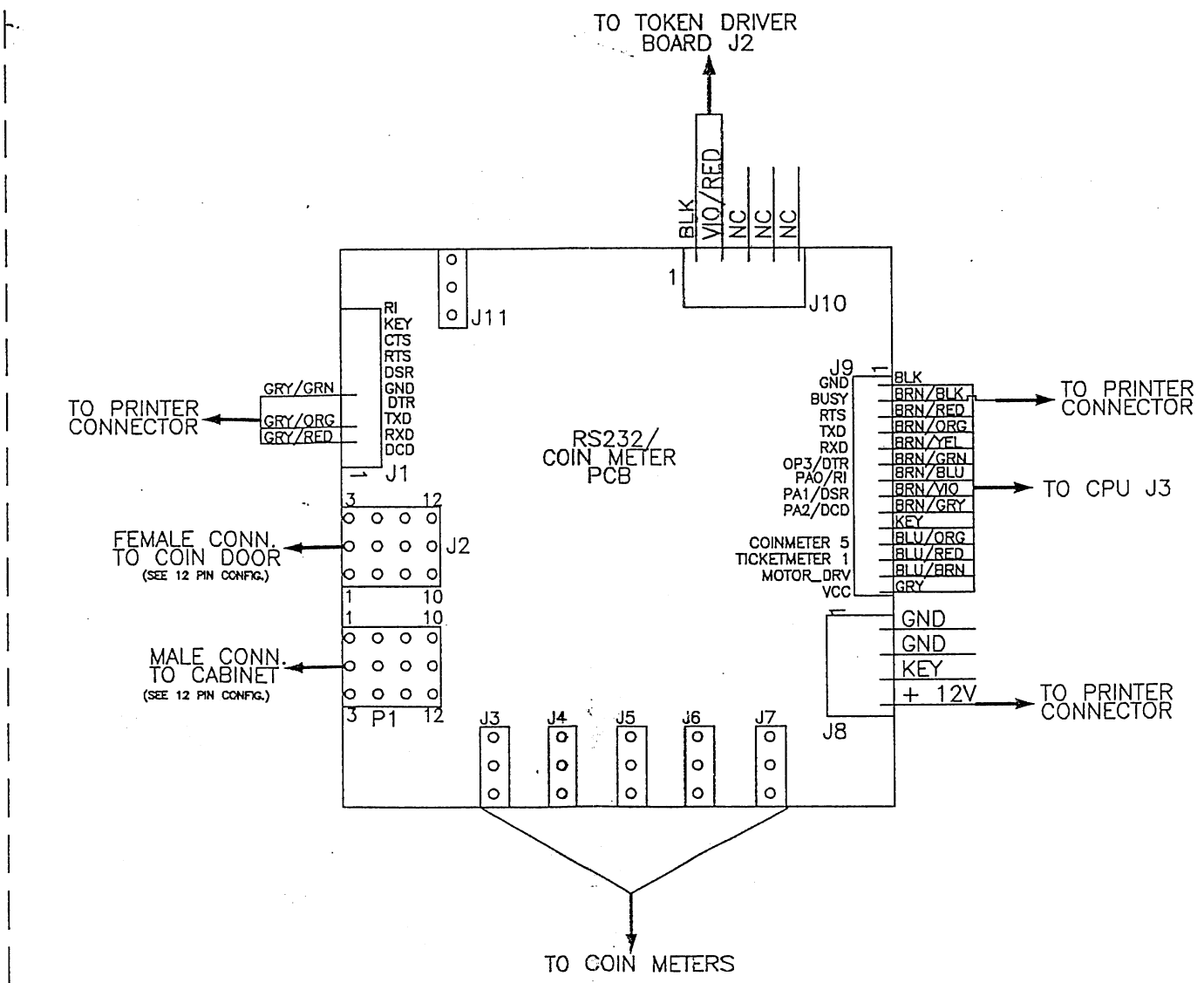
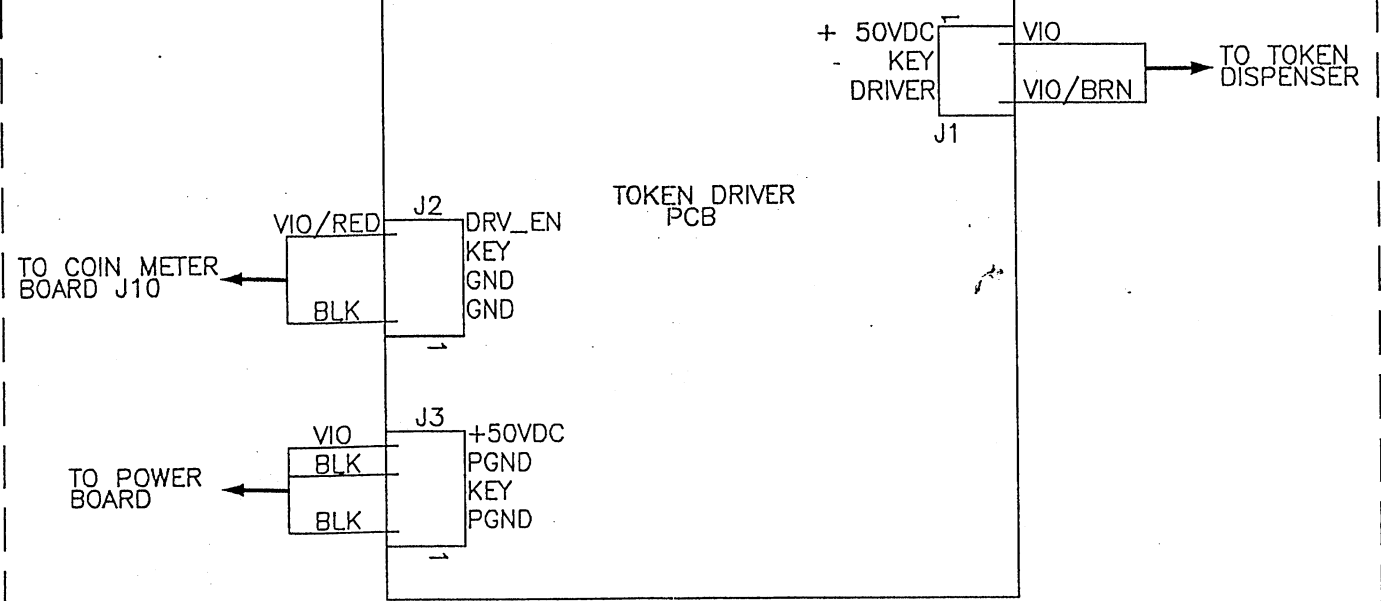
CAPCOM COIN-OP, INC.  
3311 NORTH KENNICOTT AVENUE  
ARLINGTON HEIGHTS, ILLINOIS 60004  
PHONE (847) 797-8100  
FAX (847) 797-8119

TITLE  
DIAGRAM, COIN DOORS, WIRING

PART NO. PB-5 WIRING DRAWN B.ZIEGLER

DATE 6/7/96 SHEET 11 OF 12 ECN NO: REV.

GERMAN CONFIGURATION



- 1 BLK/GRN
- 2 GRN/BRN
- 3 GRN/RED
- 4 GRN/ORG
- 5 GRN/YEL
- 6 BLK/WHT
- 7 WHT/BRN
- 8 YEL/BRN
- 9 RED/BRN
- 10 NC
- 11 YEL
- 12 BLK

12 PIN CONFIGURATION

**CAPCOM**®  
COIN-OP, INC.

CAPCOM COIN-OP, INC.  
3311 NORTH KENNICOTT AVENUE  
ARLINGTON HEIGHTS, ILLINOIS 60004  
PHONE (847) 797-6100  
FAX (847) 797-6119

TITLE			
DIAGRAM, PRINTER INTERFACE, WIRING			
PART NO.		DRAWN	
PB-5 WIRING		B.ZIEGLER	
DATE	SHEET	ECN NO:	REV.
6/7/96	12 OF 12		